

# H-RAIL BATTERY

HERRMANS® H-RAIL Battery rear LED light is equipped with HERRMANS® patented snap-in rails bracket, for fitting under the seat. Available in ON/FLASH/OFF version. The light is durable and is instantly noticeable, visibility increases safety. The H-RAIL fulfills a number of European road traffic regulations.



Not all products are available in all markets. During continuous improvement specifications and design are changing. All values are nominal values. Illustrations do not necessarily show the design of every version and some features are version specific.

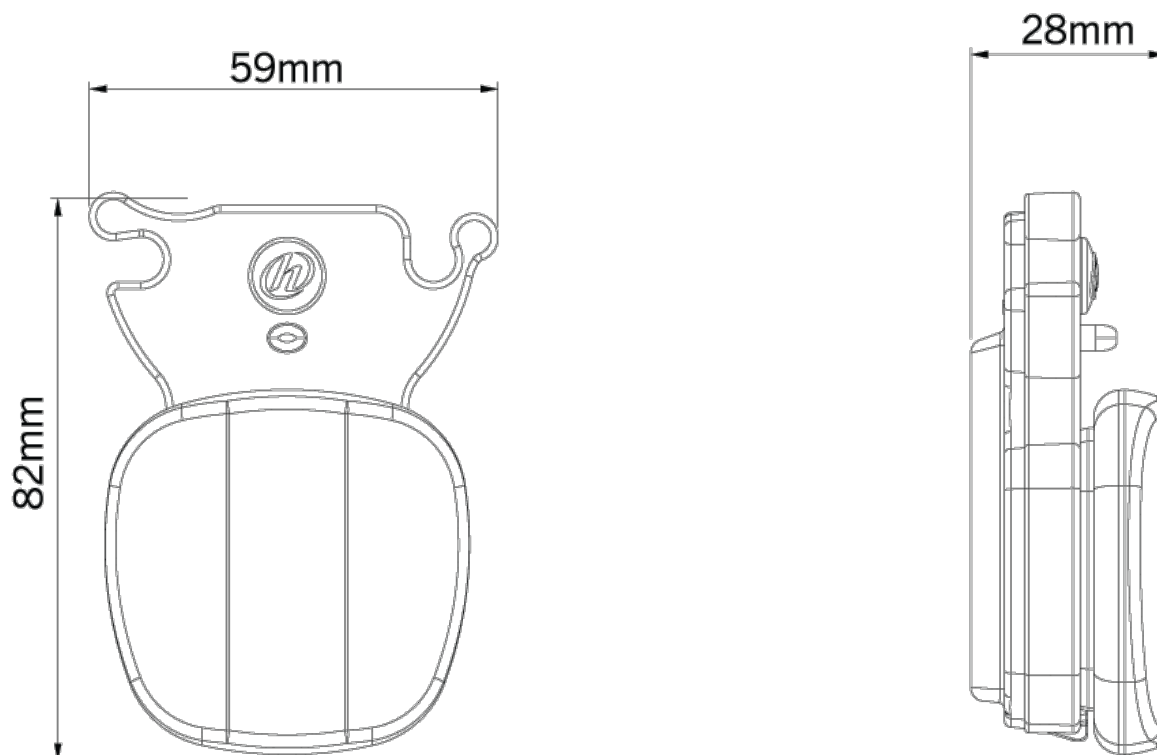
## TECHNICAL DATA

Power Source	<b>Battery (2x AA)</b>	Mounting Distance	<b>42.5 mm</b>
Nominal Voltage DC	<b>3 V</b>	Housing	<b>Plastic</b>
Power Consumption	<b>0.04 W</b>	Salt Spray Test	<b>ISO 9227 NSS 96H</b>
Number of LED's	<b>1</b>	Type approval (light)	<b>-</b>
Battery Run-time	<b>Ca 200h (flash mode)/ca. 100h (steady on mode)</b>	Type approval (reflector)	<b>E IV A, BS, K</b>
Operating modes	<b>On/Flash/Off</b>	Packaging Amount	<b>216 Pce</b>
Mounting Options	<b>Under the saddle (on the saddle rails)</b>		

## KEY FEATURES

- Batteries included
- Available in ON/FLASH/OFF version
- Angle visible 180 degrees

**DRAWINGS**



## ASSEMBLY OPTIONS



Snap-in railsbracket